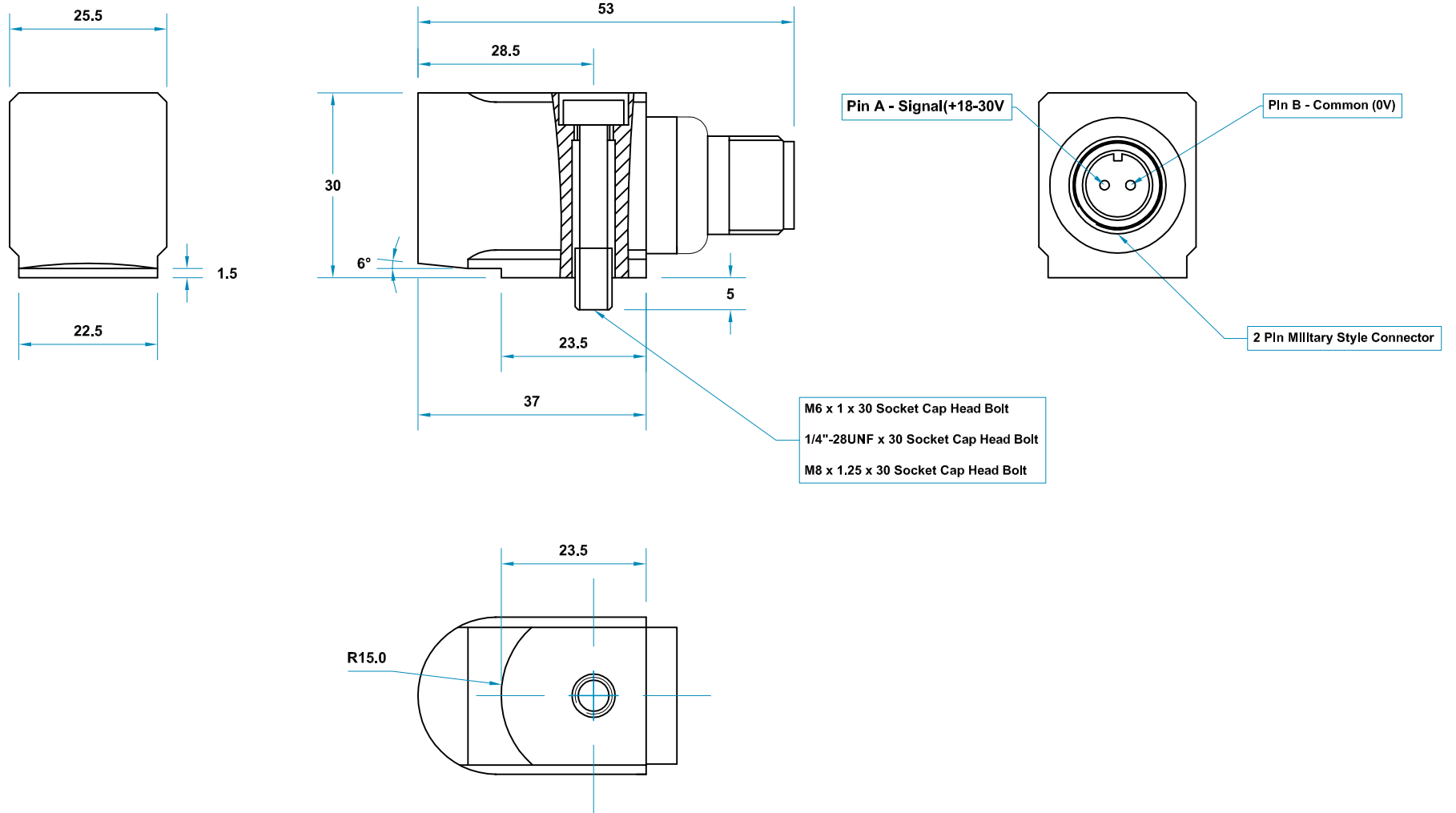
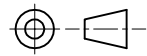


Installation Dimensional Drawing for HS-100S Series 2 Pin MS Connector



Rev No	DRF No	Date Drg	Drg By	Appd By	Material: <i>N/A</i>
A	Release	20/06/11	MJS	CMH	Tolerances Unless Stated 0 or 0.0 ±0.5 0.00 ±0.15 Angle ±5°
B	DRF0173	08/07/11	MJS	CMH	


Hansford Sensors
Excellence in Vibration Monitoring
Hansford Sensors Ltd
 Artisan Hillbottom Road
 Sands Industrial Estate
 High Wycombe
 Bucks HP12 4HJ

 **Do Not Scale**
 All Dimensions In mm Unless
 Otherwise Stated
If In Doubt - Ask!

Description: HS-100S Series Vibration Side Exit	
Drawing No: CD034.2	
Data Sheet No: TS157 Issue 2	
Scale: NTS	Form Number:
Sheet: 1 of 1	QF024 Issue 1