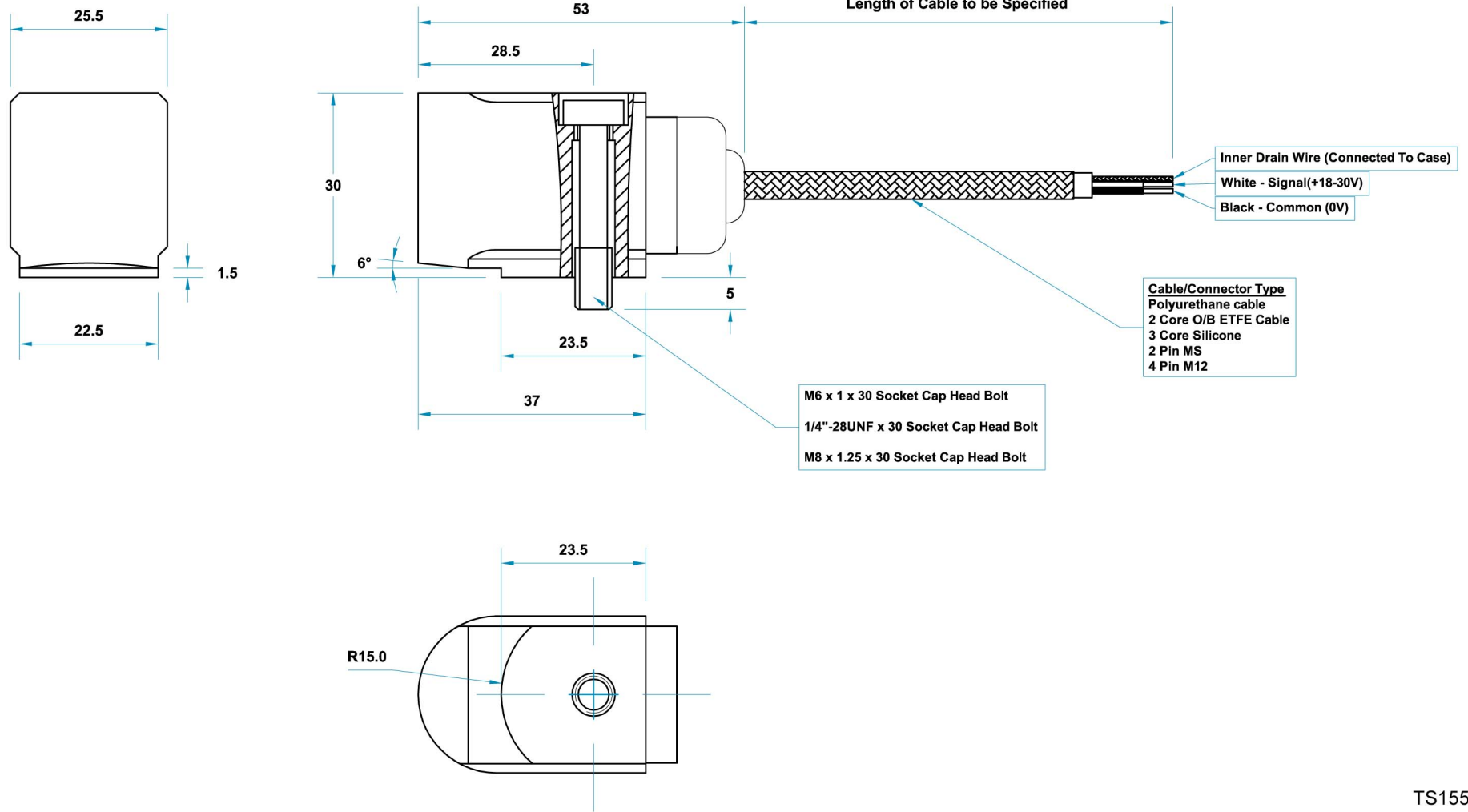

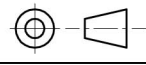


# Installation Dimensional Drawing for HS-100S Series



TS155 Iss01

Rev No	DRF No	Date Drg	Drg By	Appd By	Material: <i>N/A</i>	 <b>Hansford Sensors</b> <i>Excellence in Vibration Monitoring</i> <b>Hansford Sensors Ltd</b> Artisan Hillbottom Road Sands Industrial Estate High Wycombe Bucks HP12 4HJ	 <b>Do Not Scale</b>	Description: <b>HS-100S Series</b> Vibration Side Exit	
<b>A</b>	<b>Release</b>	<b>20/06/11</b>	<b>MJS</b>	<b>CMH</b>	Tolerances Unless Stated 0 or 0.0 ±0.5 0.00 ±0.15 Angle ±5°			All Dimensions In mm Unless Otherwise Stated	Drawing No: <b>CD034</b>
					Finish All Over $\nabla$ 1.6/ Threads g6 H6	<b>If In Doubt - Ask!</b>	Scale: <b>NTS</b>	Form Number: <b>QF024 Issue 1</b>	
							Sheet: <b>1 of 1</b>		